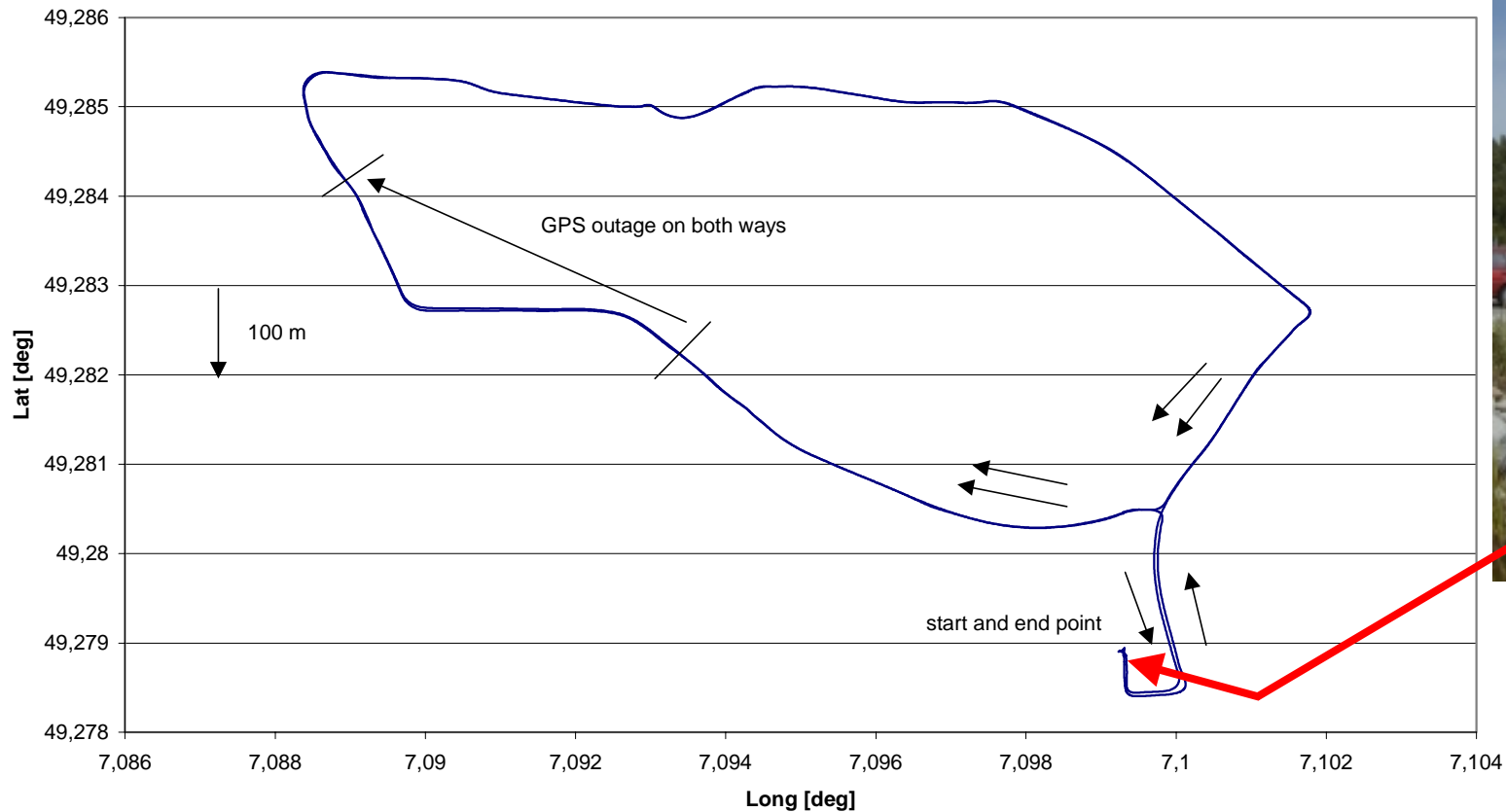


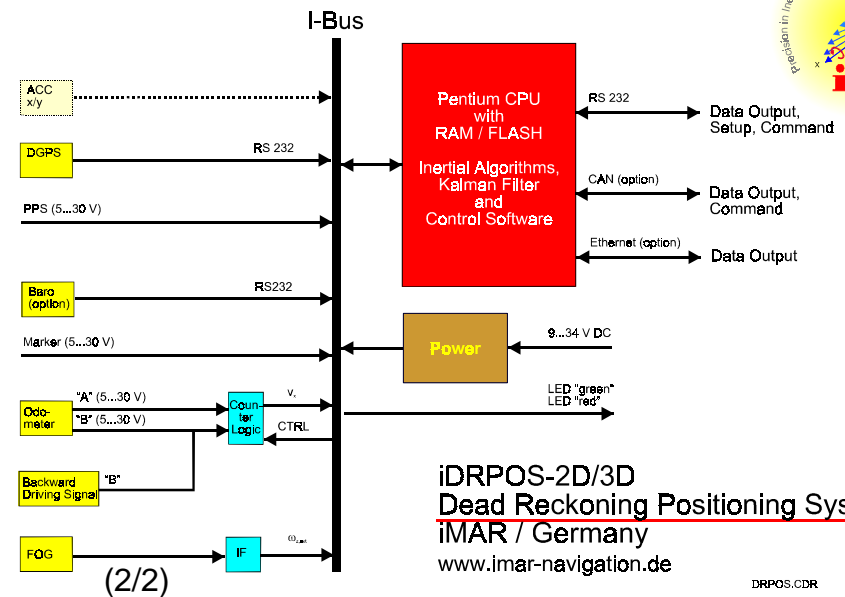
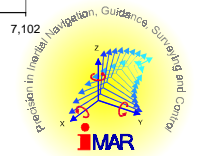
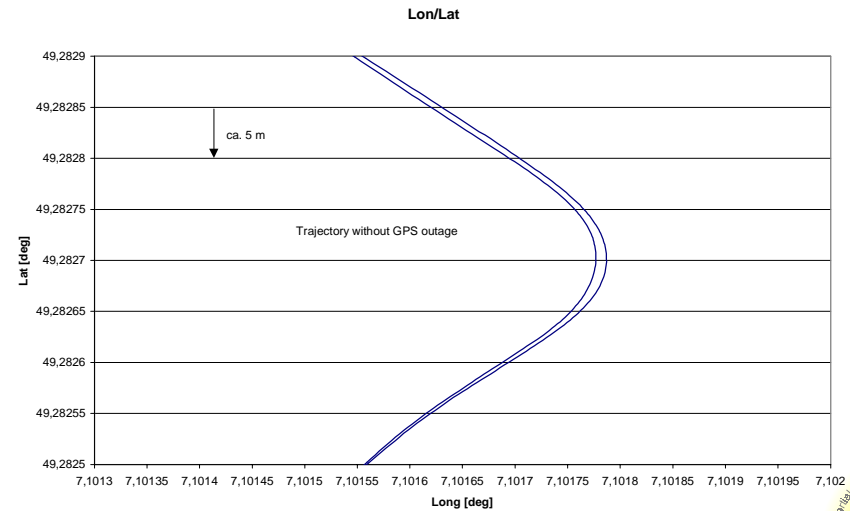
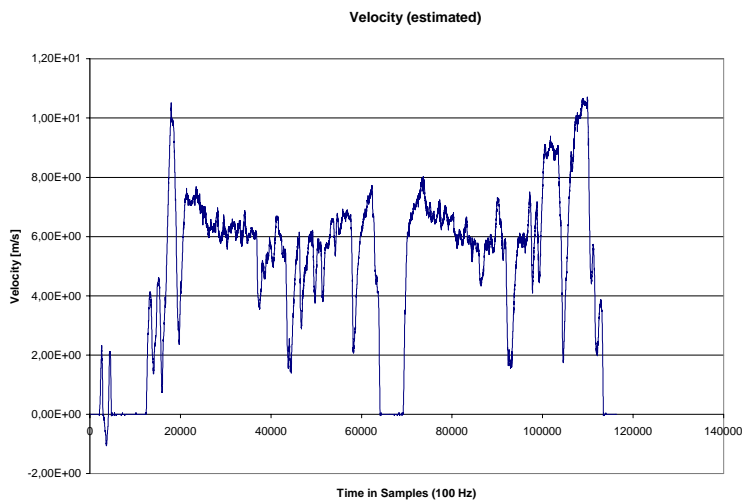
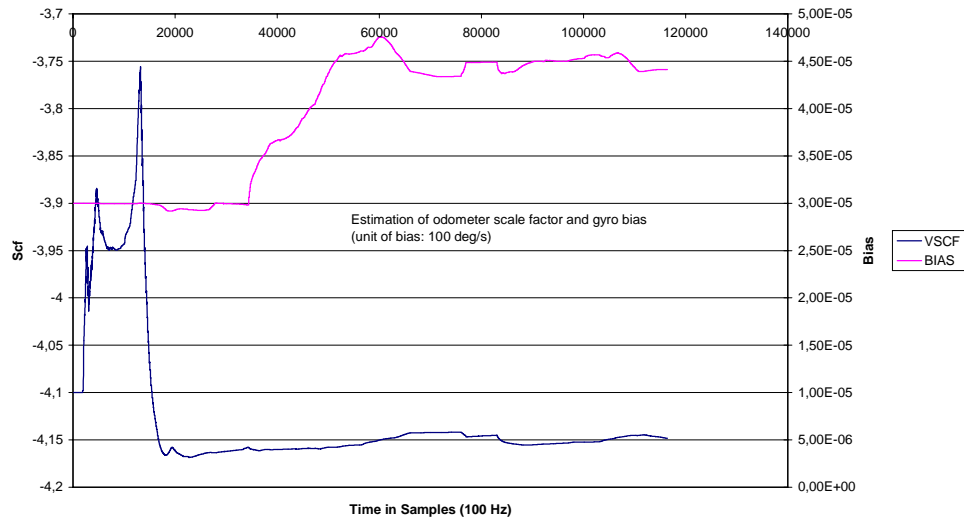
iDRPOS: Road Surveying with Fiber Optical Gyro, Odometer and Omnistar GPS

Test Plant: St. Ingbert

iDRPOS-2D: Lon/Lat



iDRPOS-2D: Kalman Filter Estimation



iDRPOS-2D/3D
Dead Reckoning Positioning System
iMAR / Germany
www.imar-navigation.de